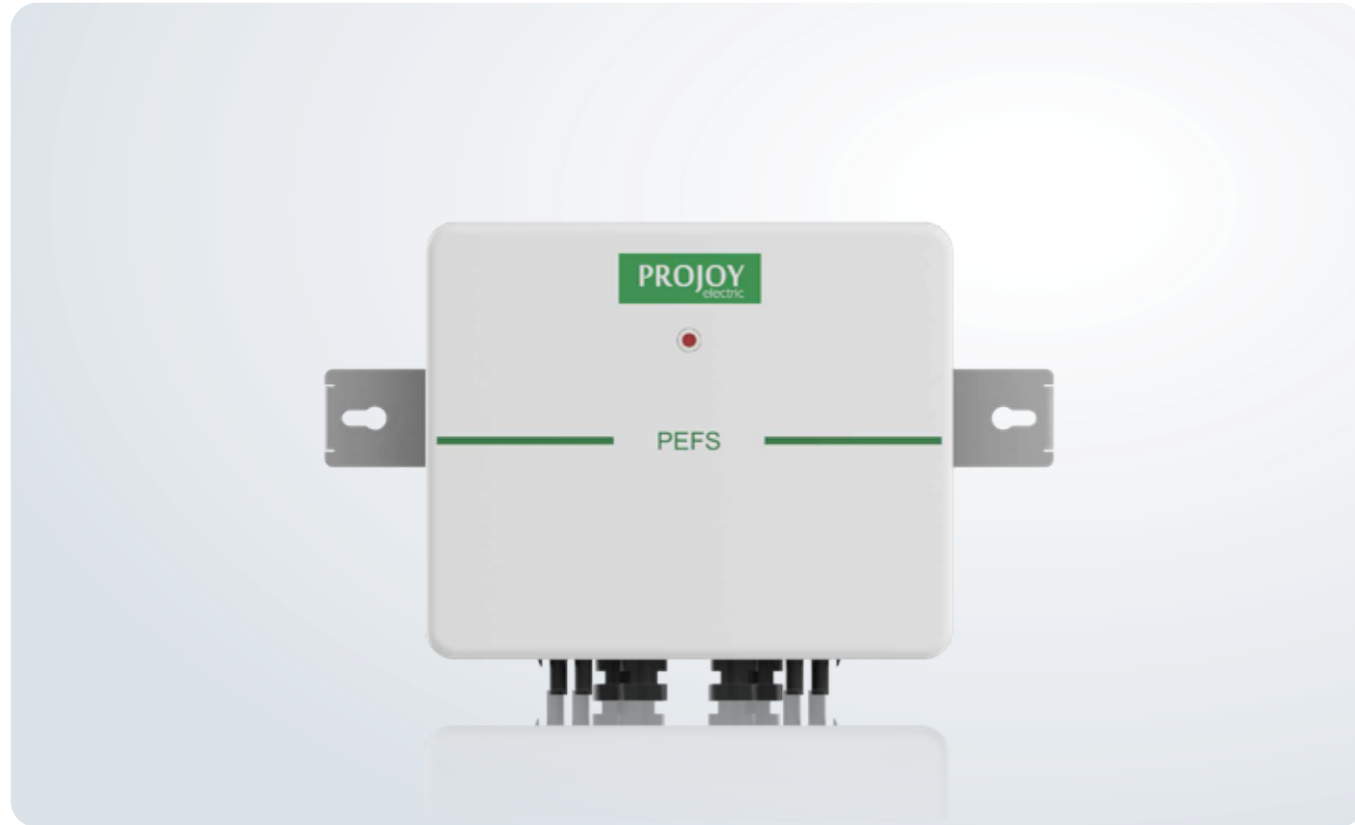


PEFS Series Rapid Shutdown (1-2 strings)-P2



High Craftsmanship AND High Standards



Small volume



Flame retardant material



Anti-UV



Outdoor installation IP66



Easy to install



Service life 25 years



High reliability



OV output physical isolation

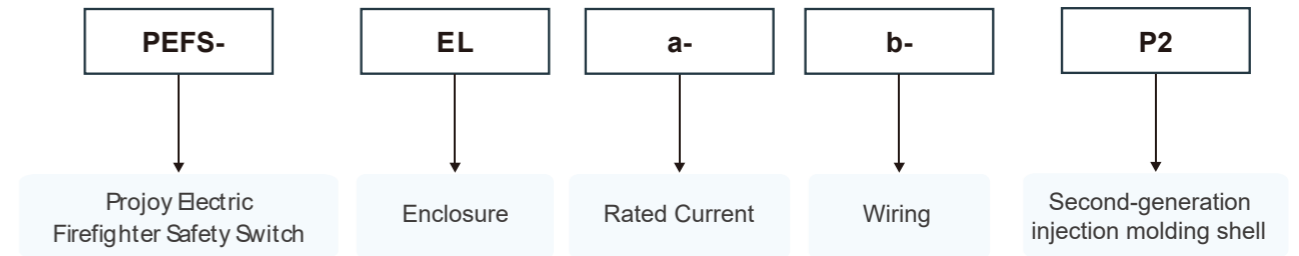


Multiple shutdown methods over temperature/loss of pressure /emergency shutdown

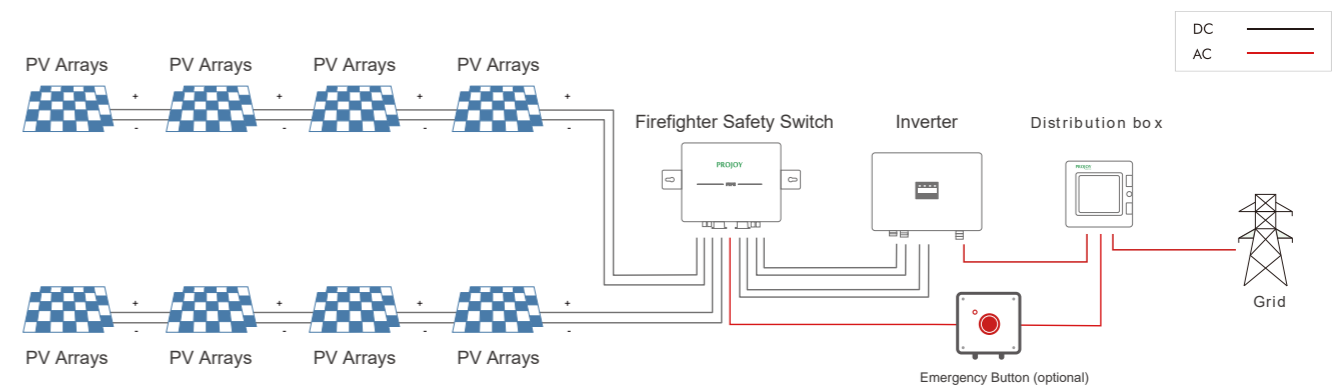


FB1 FB2 function achieves external monitoring

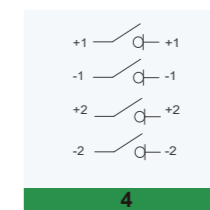
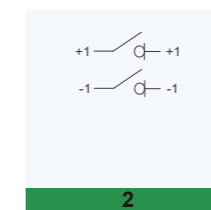
Select Code



Diagram

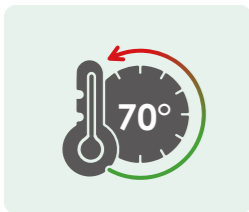


Contact Configuration



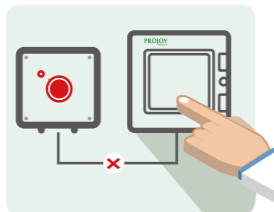
Shutdown Mode

Automatic Shutdown



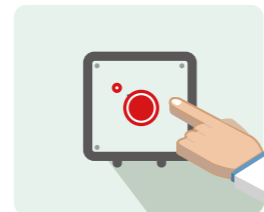
Automatically shutdown the DC power of panels when detecting temperature of the area is higher than 70°C.

AC Power Shutdown



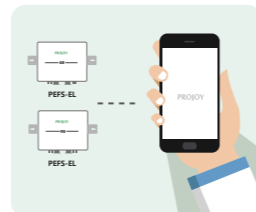
Firefighters or homeowners can manually turn off the AC power of the distribution box when in an emergency or it can automatic shutdown when the AC power has lose.

Manual Shutdown



In an emergency, it can be shut down manually through the Emergency Button

RS485 shutdown Optional



Maintenancers or homeowners can also remotely shutdown through RS485 communication (Optional) .

Technical data

Technical Parameter	
Main Parameters	PEFS-P2
String voltages (Vdc)	300~1500
String current (A)	3~55
Number of strings	1/2
Poles	2/4
Operating voltage	100Vac - 270Vac
Nominal voltage	230Vac
Nominal current	30mA
Start up (loading) current	average 100mA
Switch on action current	max 300mA
FB1 FB2 function (Standard configuration)	contact capacity: 250VAC,16A
Operating temperature range	-40°C - +70°C
Automatically switch off by temperature	+70°C
Storage temperature range	-40°C - +85°C
Ingress Protection level	IP66
Protection level	Class II
Certification	CE
Regulations compliance	EN 60947-1&3
Mechanical Life	10000
Electrical Life	>300

Data of PEFS refer to built-in DC isolators.

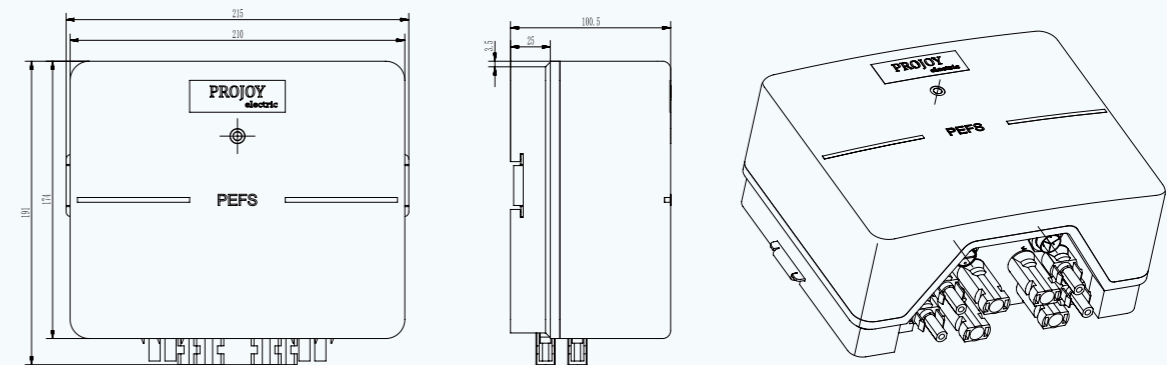
Data according to IEC60947-3(ed.3.2):2015, UL508i. Utilization category DC-PV1.

300V	600V	800V	1000V	1200V	1500V	Poles	No. of Strings	Part Number
16	16	16	9	6	3	2/4	1/2	PEFS-EL16-2/4-P2
25	25	22	11	8	4	2/4	1/2	PEFS-EL25-2/4-P2
32	32	26	13	10	5	2/4	1/2	PEFS-EL32-2/4-P2
40	40	30	20	15	13	2/4	1/2	PEFS-EL40-2/4-P2
55	55	45	33	33	18	2/4	1/2	PEFS-EL55-2/4-P2
40	40	40	40	30	20	2/4	1/2	PEFS-EL40H-2/4-P2
50	50	50	50	40	30	2/4	1/2	PEFS-EL50H-2/4-P2

Dimensions of PEFS

Dimensions

Unit: mm



NOTE: The PEFS may not be installed in direct sunlight or be in direct contact with (continuous) ingress water.