

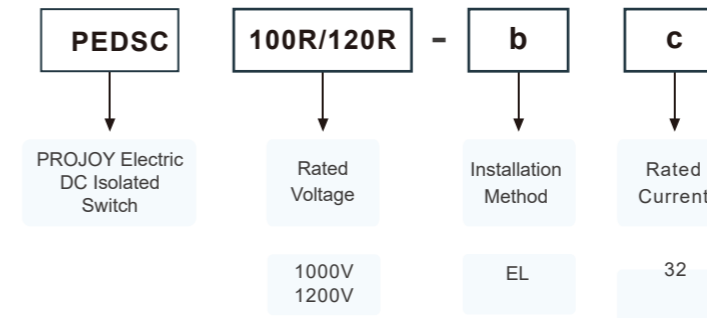
PEDSC100R-EL32
PEDSC120R-EL32
 DC Isolated Switch



PROJOY
 electric
 - Switch To Safety! -

PROJOY
 electric
 - Switch To Safety! -

Select Code



Technical Data

Testing Complies with AS 60947.3:2018, AS/NZS IEC 60947.1:2015 , Utilization Category: DC-PV2

Main Parameters			PEDSC100R/120R-EL32
Rated insulation voltage	Ui	V	1500
Rated thermal current	Ith	A	32
Rated impulse withstand voltage	Uimp	V	8000
Rated short-circuit making capacity	Icw	A	1000
Maximum cable cross sections (incl. jumper)			
Solid or standard		mm2	4-16
Flexible		mm2	4-10
Flexible (+ multicore cable end)		mm2	4-10
Torque			
Tightening torque terminal screws M4.		Nm	1.2-1.8
Tightening torque shell mounting screws ST4.2(304 stainless steel)		Nm	1.5-2.0
Tightening torque knob screws M3		Nm	0.5-0.7
Switching on or off Torque		Nm	0.9-1.3
The wiring Torque on Base		Nm	1.1-1.4
General parameters			
Knob positions			OFF at 9 hr, ON at 12 hr(Optional OFF at 12 hr, ON at 3 hr)
Mechanical life			10000
Number of DC poles			2 or 4
Operation temperature			-40 to +85
Storage temperature			-40 to +85
Pollution degree		°C	2
Overvoltage category		°C	III
IP rating of shafte and mounting nul			IP66

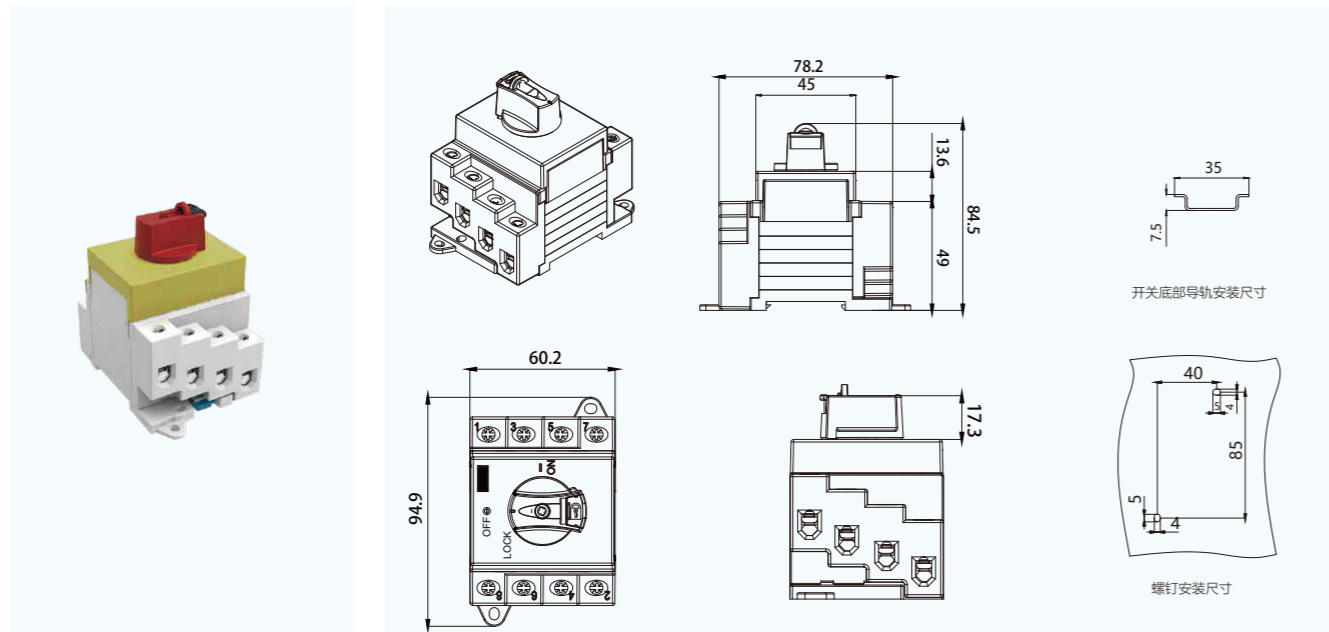
High Craftmanship AND High Standards

- Small volume
- Flame retardant material
- IP66
- Flying Fox Short
- Complete accessories
- 40°C~+85°C Ambient temperature range
- Non-polar design

DISTRIBUTION BOARD DC ISOLATOR

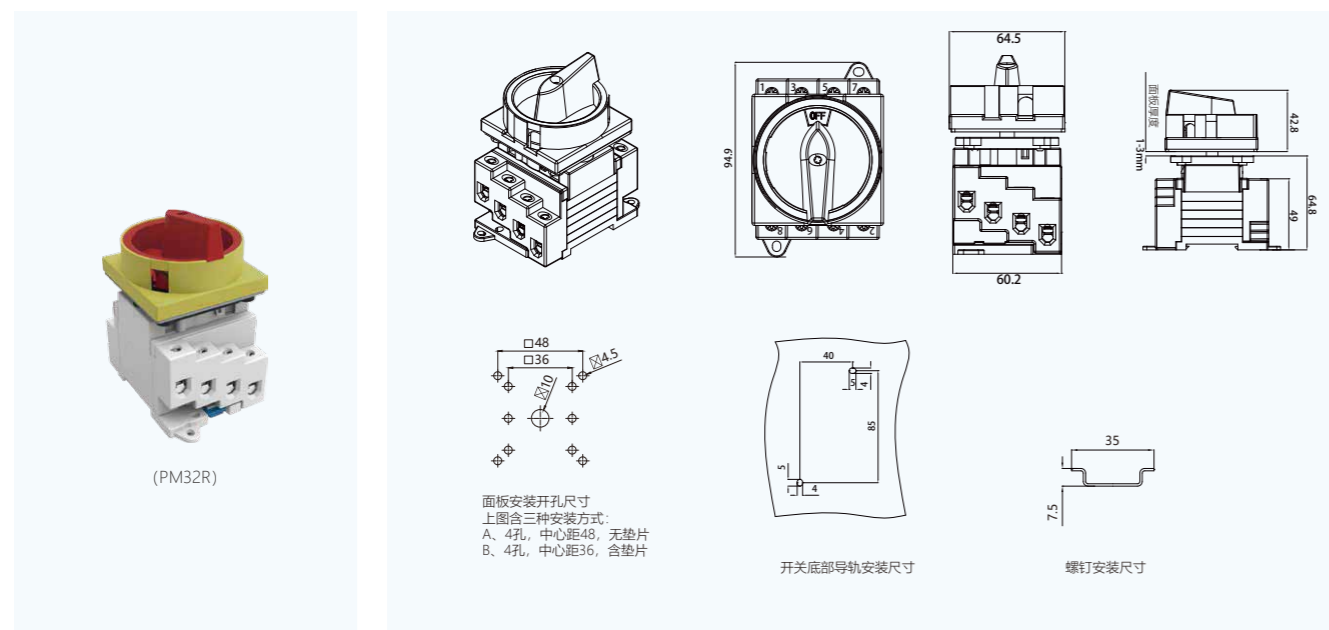
PEDSC100R/120R-EL32

Dimensions



DISTRIBUTION BOARD DC ISOLATOR

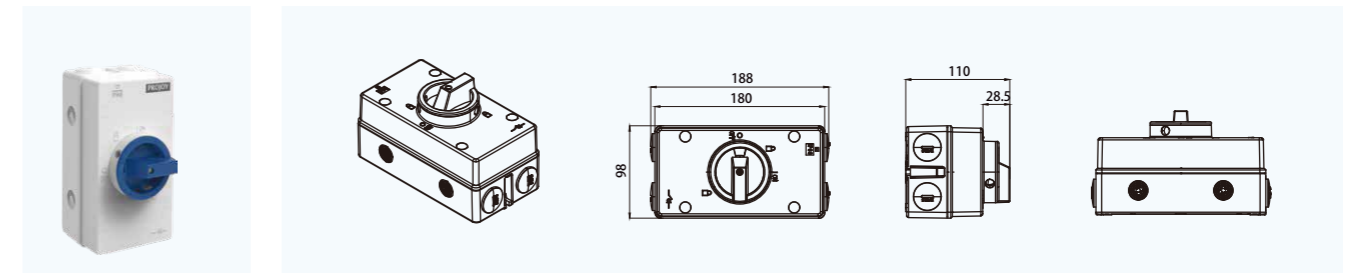
Dimensions



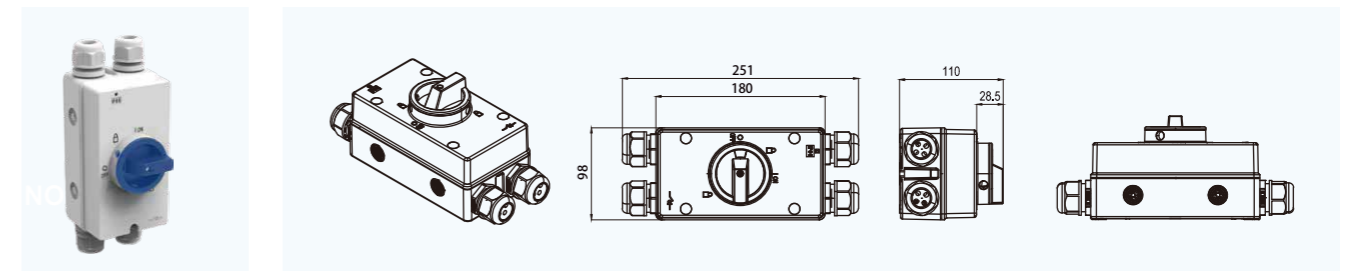
ENCLOSURE DC ISOLATOR

PEDSC100R/120R-EL32

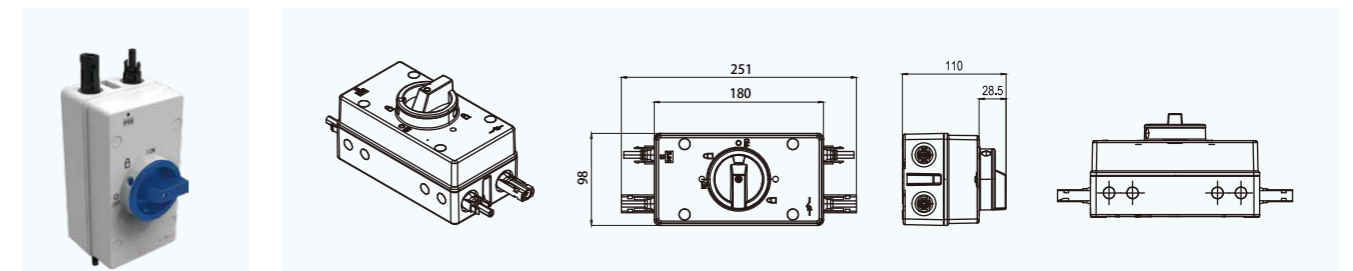
Dimensions



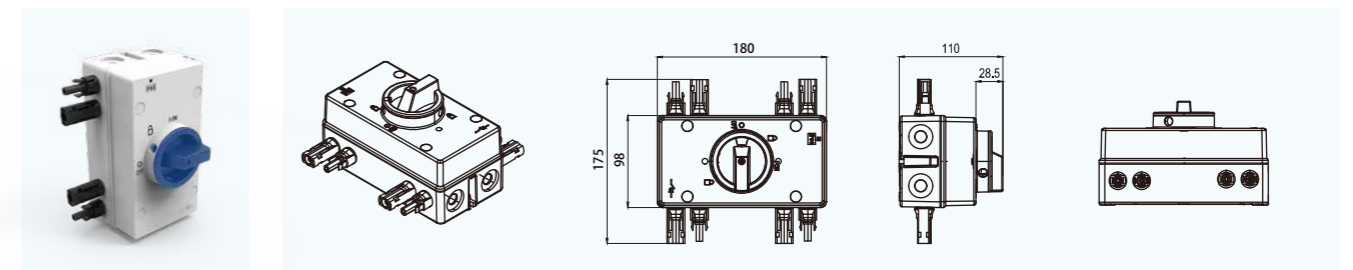
PEDSC100R/120R-EL32 M25



PEDSC100R/120R-EL32 2MC4



PEDSC100R/120R-EL32 4MC4



Technical Data

Testing Complies with AS 60947.3:2018, AS/NZS IEC 60947.1:2015 , Utilization Category: DC-PV2					Pole	No. of Strings	Part Number
300V	600V	800V	1000V	1200V			
PV2	PV2	PV2	PV2	PV2			
32	32	16	9	/	2	1	PEDSC100R-EL32-2
32	32	16	9	9	2	1	PEDSC120R-EL32-2
32	32	16	9	/	4	2	PEDSC100R-EL32-4
32	32	16	9	9	4	2	PEDSC120R-EL32-4
32	32	32	32	/	4	1	PEDSC100R-EL32-4S
32	32	32	32	32	4	1	PEDSC120R-EL32-4S
32	32	32	32	/	4	1	PEDSC100R-EL32-4B
32	32	32	32	32	4	1	PEDSC120R-EL32-4B
32	32	32	32	/	4	1	PEDSC100R-EL32-4T
32	32	32	32	32	4	1	PEDSC120R-EL32-4T

Switching Configuration

Type	2-Pole	4-Pole	4-pole with Input and Output on top	4-pole with Input and Output bottom	4-pole with Input on top Output bottom
PEDSC100R/120R	2	4	4T	4B	4S
Contacts Wiring graph					
Switching example					



PROJOY
electric
– Switch To Safety! –

ProJoy Electric Co., Ltd.

2nd Floor, Building 3, No. 2266, Taiyang Road, Xiangcheng District, Suzhou, China
Tel: +86 512 6878 6489 | Fax: +86 512 6878 6489
Email: sales@projoy-electric.com | www.projoy-electric.com