

# C E R T I F I C A T E

of Conformity

Registration No.: AK 50504071 0001

Report No.: CN21541B 001

**Holder:** SolaX Power Network Technology  
(Zhe jiang) Co., Ltd.  
No.288 Shizhu Road  
Tonglu Economic Development Zone  
Tonglu City,  
Zhejiang Province 310000  
P.R. China

**Product:** PV-Inverter  
(Grid Tied Inverter With Storage System)

**Identification:** Type Designation : X3-Hybrid-x-y-z (x=5.0, 6.0, 8.0 or 10.0;  
y=D or N; z=E or C)  
X3-Fit-xy (x=8.0 or 10.0; y=E or C)  
Serial Number : Engineering samples

**Tested acc. to:** RD 1699:2011  
RD 661:2007  
RD 413:2014  
UNE 206006 IN:2011  
UNE 206007-1 IN:2013  
UNE 217001:2020

The certificate of conformity refers to the above mentioned product. This is to certify that the specimen is in conformity with the assessment requirement mentioned above. This certificate does not imply assessment of the production of the product and does not permit the use of a TÜV Rheinland mark of conformity.



Date 14.05.2021

  
Weichun Li

TÜV Rheinland LGA Products GmbH - Tillystraße 2 - 90431 Nürnberg

# CERTIFICATE of Conformity

Registration No.: AK 50504071 0002

Report No.: CN21541B 001

**Holder:** SolaX Power Network Technology  
(Zhe jiang) Co., Ltd.  
No.288 Shizhu Road  
Tonglu Economic Development Zone  
Tonglu City,  
Zhejiang Province 310000  
P.R. China

**Product:** PV-Inverter  
(Grid Tied Inverter With Storage System)

**Identification:** as page 0001 continuation  
Firmware Version : Master DSP:2.07 ,Slave DSP:2.01, ARM:2.03  
Remark(s) : Compliance with the requirement of  
RD 244/2019, Annex I. Refer to test  
report CN21541B 001 for details.

**Tested acc. to:** RD 1699:2011  
RD 661:2007  
RD 413:2014  
UNE 206006 IN:2011  
UNE 206007-1 IN:2013  
UNE 217001:2020

The certificate of conformity refers to the above mentioned product. This is to certify that the specimen is in conformity with the assessment requirement mentioned above. This certificate does not imply assessment of the production of the product and does not permit the use of a TÜV Rheinland mark of conformity.

Date 14.05.2021



Weichun Li

TÜV Rheinland LGA Products GmbH - Tillystraße 2 - 90431 Nürnberg



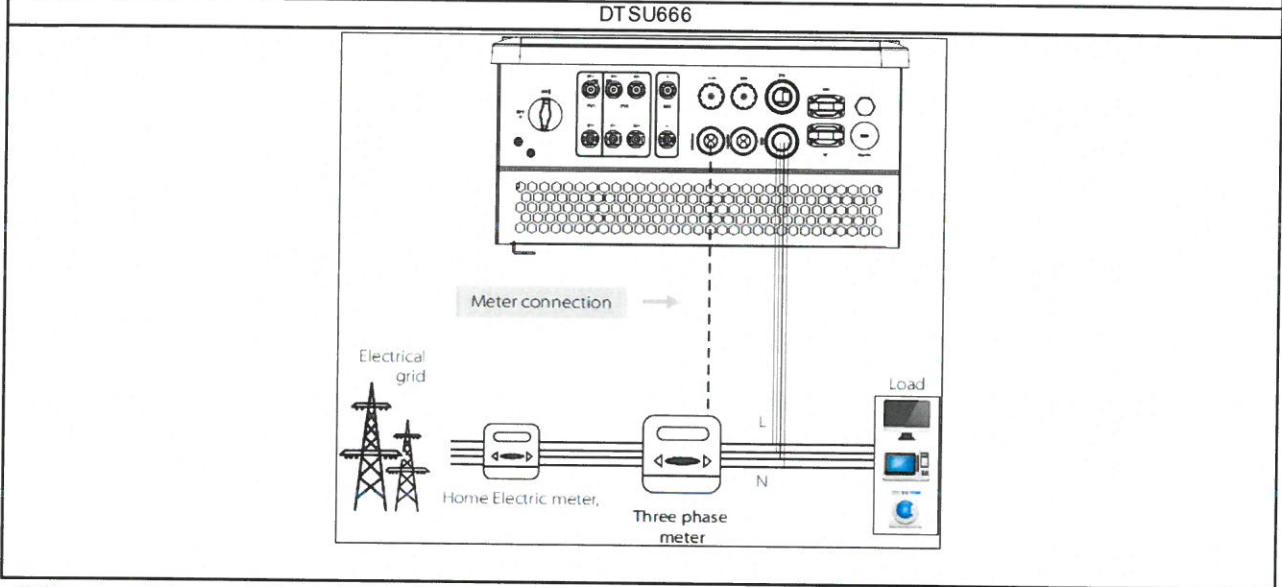
Modelo Model	X3-Hybrid-5.0-D(N)- E(C)	X3-Hybrid-6.0-D(N)- E(C)	X3-Hybrid-8.0-D(N)- E(C)	X3-Hybrid-10.0-D(N)- E(C)
<b>Potencia nominal CA</b> Nominal AC Power	5000 W	6000 W	8000 W	10000 W
<b>Tensión nominal CA</b> Nominal AC voltage	230 V	230 V	230 V	230 V
<b>Corriente máxima CA</b> Maximal AC current	8.0 A	9.6 A	12.8 A	16.0 A
<b>Frecuencia nominal</b> Nominal frequency	50 Hz	50 Hz	50 Hz	50 Hz
<b>Rango de tensión MPPT</b> MPPT voltage range	180-950 V	180-950 V	180-950 V	180-950 V
<b>Tensión CC máxima</b> Max. DC voltage	1000 V	1000 V	1000 V	1000 V
<b>Corriente DC máxima</b> Max. DC current	12/12 A	12/12 A	24/12 A	24/12 A
<b>Elemento de control</b> Control device	Controller in Inverter	Controller in Inverter	Controller in Inverter	Controller in Inverter
<b>Tipo de dispositivo de control</b> Type of control device	Integrated	Integrated	Integrated	Integrated

Modelo Model	X3-Fit-8.0E(C)	X3-Fit-10.0E(C)
<b>Potencia nominal CA</b> Nominal AC Power	8000 W	10000 W
<b>Tensión nominal CA</b> Nominal AC voltage	230 V	230 V
<b>Corriente máxima CA</b> Maximal AC current	12.8 A	16.0 A
<b>Frecuencia nominal</b> Nominal frequency	50 Hz	50 Hz
<b>Rango de tensión MPPT</b> MPPT voltage range	160-800 V	160-800 V
<b>Tensión CC máxima</b> Max. DC voltage	800 V	800 V
<b>Corriente DC máxima</b> Max. DC current	35 A	35 A
<b>Elemento de control</b> Control device	Controller in Inverter	Controller in Inverter
<b>Tipo de dispositivo de control</b> Type of control device	Integrated	Integrated

<b>Información general del transductor de corriente externo / medidor de potencia <sup>1</sup></b> General information of external current transducer/ power meter	
<b>Fabricante</b> Manufacturer	CHNT
<b>Modelo</b> Model	DTSU666
<b>Aplicación</b> Application	3 Phase
<b>Tensión nominal</b> Nominal voltage	230 Vac
<b>Corriente máxima</b> Max. current	80 A
<b>Clase de precisión</b> Class of accuracy	Class 1
<b>Tipo de comunicación</b> Type of communication	RS485

**Esquema básico del sistema <sup>7</sup>**

Basic system diagram



**\*) Para cumplir los requisitos de RD244:2019 / ANEXO I y UNE 217001:2020, se instalará el dispositivo adicional.**  
For fulfill the requirements of RD244 : 2019/ ANEXO I and UNE 217001:2020, the additional device shall be installed.

SolaX Power Network Technology (Zhejiang) Co., Ltd.  
Jason Shen

Date : 14.05.2021  
Our ref. : HCC 01  
Your ref.: Jason Shen

No.288 Shizhu Road  
Tonglu Economic Development Zone  
Tonglu City,  
Zhejiang Province 310000  
P.R. China

**Ref : AK Certificate of Conformity**

Type of Equipment : Grid Tied Inverter With Storage System  
Model Designation : See Certificate  
Certificate No. : AK 50504071 0001  
Report No. : CN21541B 001

Dear Jason Shen,

We herewith confirm that a sample of the above mentioned technical equipment has been tested and was found to be in accordance with the relevant requirements.

Enclosed please find your Certificate of Conformity.

We appreciate your kind support and would like to offer our assistance and continuous services in the future.

With kind regards,

Certification Body

  
Weichun Li

Enclosure

证书的详细资料请登陆[www.certipedia.com](http://www.certipedia.com)查阅,或拨打我司客服热线800 999 3668 / 400 883 1300咨询