



APPLICATION

Multi-fixture adjustable bypass fresh water installations. Other uses may include pressurized water systems in cabins and general water transfer. Benefits include a heavy-duty, thermally protected, CE compliant sealed motor, adjustable bypass and a self-priming 4-chamber design. This pump has a unique co-molded diaphragm and can run dry without damage.

PUMP DESIGN

Type: 4 Chamber Diaphragm pump
Ports: ½"-14 NPSM-Male
Liquid: 130°F [54°C] Max
Dry-Prime: 6 feet [1.82 M]
Run Dry: Yes
Inlet Pressure: 30 PSI Max. [2.06 Bar]

ELECTRICAL

Motor: 24V DC Permanent Magnet, Intermittent Duty
Protection: Thermal Overload, Automatic Restart
Leads: 14 AWG, 14 ¾" [37 cm] Red +, Black -
Fuse: 7.5 Amp Recommended
Control: Shut-Off: 55 PSI [3.8 Bar] ± 2 PSI [0.13 Bar]
 Re-start: 40 PSI [2.8 Bar] ± 2 PSI [0.13 Bar]
 By-Pass: 65 PSI [4.5 Bar] ± 2 PSI [0.13 Bar]

MATERIALS OF CONSTRUCTION

Housings: Polypropylene
Valves/Seals: EPDM
Diaphragm: Santoprene/Polypropylene, Co-Molded
Hardware: Stainless Steel and Zinc Plated Steel

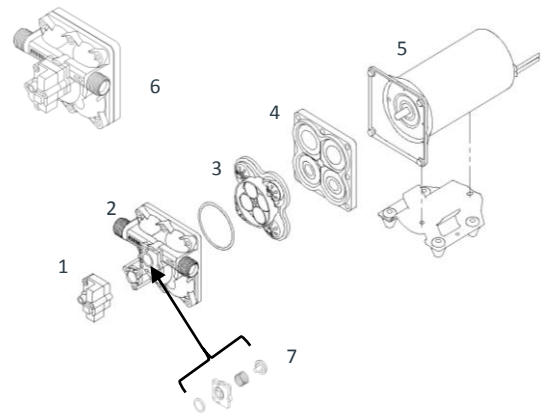
AGENCY APPROVALS

Ignition Protection 8846, CE

SHIPPING INFORMATION

Net Weight: 7.9 Pounds [3.5 Kg] ea.
Carton Qty.: 6
Carton Weight: 50 Lbs. [22.6 Kg]
Carton Size: 24"L X 18"W X 6"H [61cm x 46cm x 15cm]

REPAIR KITS



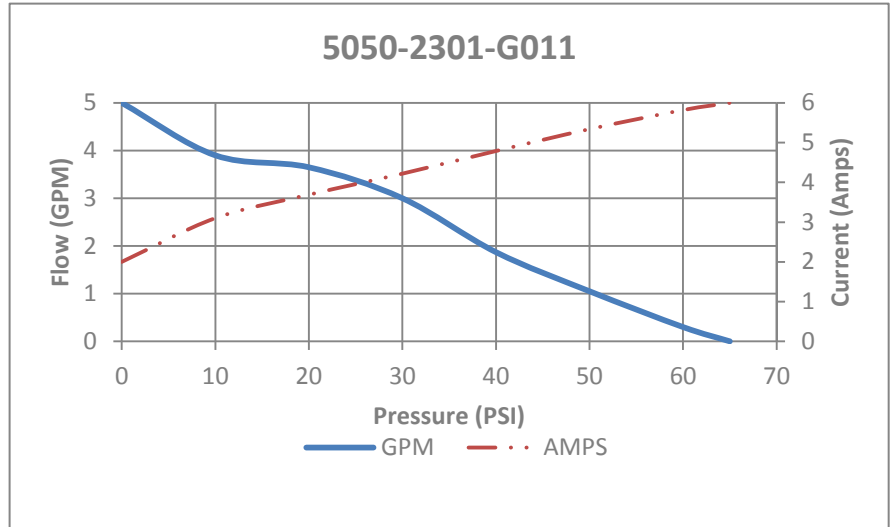
Number	Description	Part Number
1	Pressure Switch	N/A
1,2	Upper Assembly	94-801-10
3	Valve Assembly	94-800-01
4	Drive Assembly	94-801-02
5	Motor/Gasket	94-71-001-04
6 (1,2,3,4,7)	Pump Head	94-801-11
7	Check Valve	94-800-03

SHURFLO® 5000 SERIES PUMPS

*PERFORMANCE

TYPICAL PERFORMANCE AT 25.6V

PRESSURE		FLOW		CURRENT
BAR	PSI	GPM	LPM	AMPS
0	0	5.0	18.9	2.0
0.7	10	3.9	14.7	3.1
1.4	20	3.6	13.8	3.7
2.1	30	3.0	11.3	4.2
2.8	40	1.8	7.1	4.8
3.4	50	1.1	3.9	5.3
4.1	60	0.3	1.1	5.8
4.5	65	0.0	0.0	6.0



*Typical Performance is for informational purposes only and can vary and should not be considered a design specification.

DIMENSIONS

