

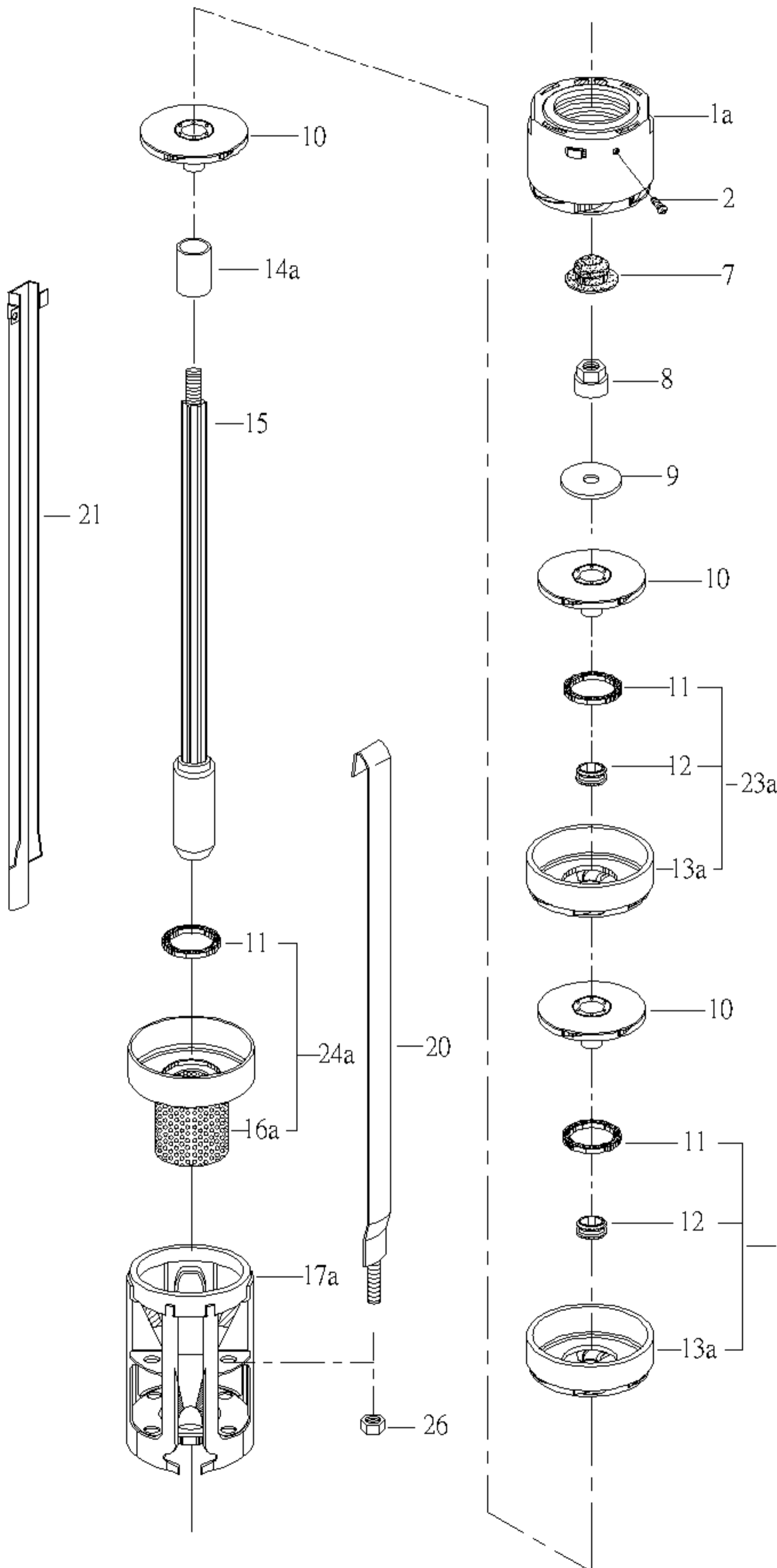
Description

1	Discharge
2	Screw M5
3	Valve Guide
4	Valve Cone
5	Valve Seat
6	Valve Casing
7	Stop Ring
8	Lock Nut
9	Stop Ring Washer
10	Impeller
11	Neck Ring
12	Bearing
13	Diffuser
14	Spacer
15	Pump shaft /Coupling
16	Strainer
17	Suction interconnector
18	Screw M8
19	Washer
20	Strap
21	Cable Guard
22	Check Valve
23	Diffuser Assy
24	Strainer Assy

Drawing for parts list

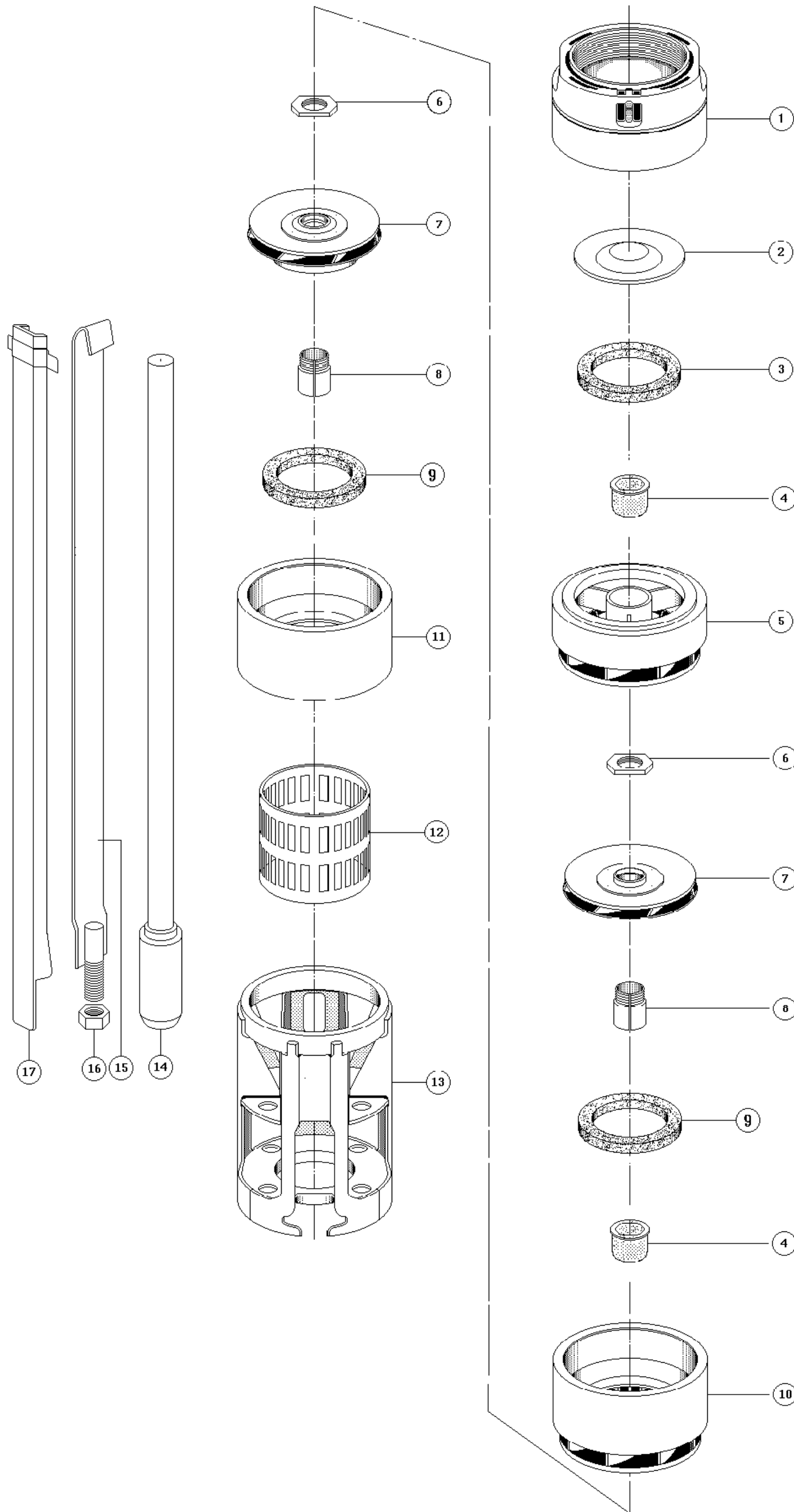
SP 05-10-18-25

Note: For stages of 31 or more



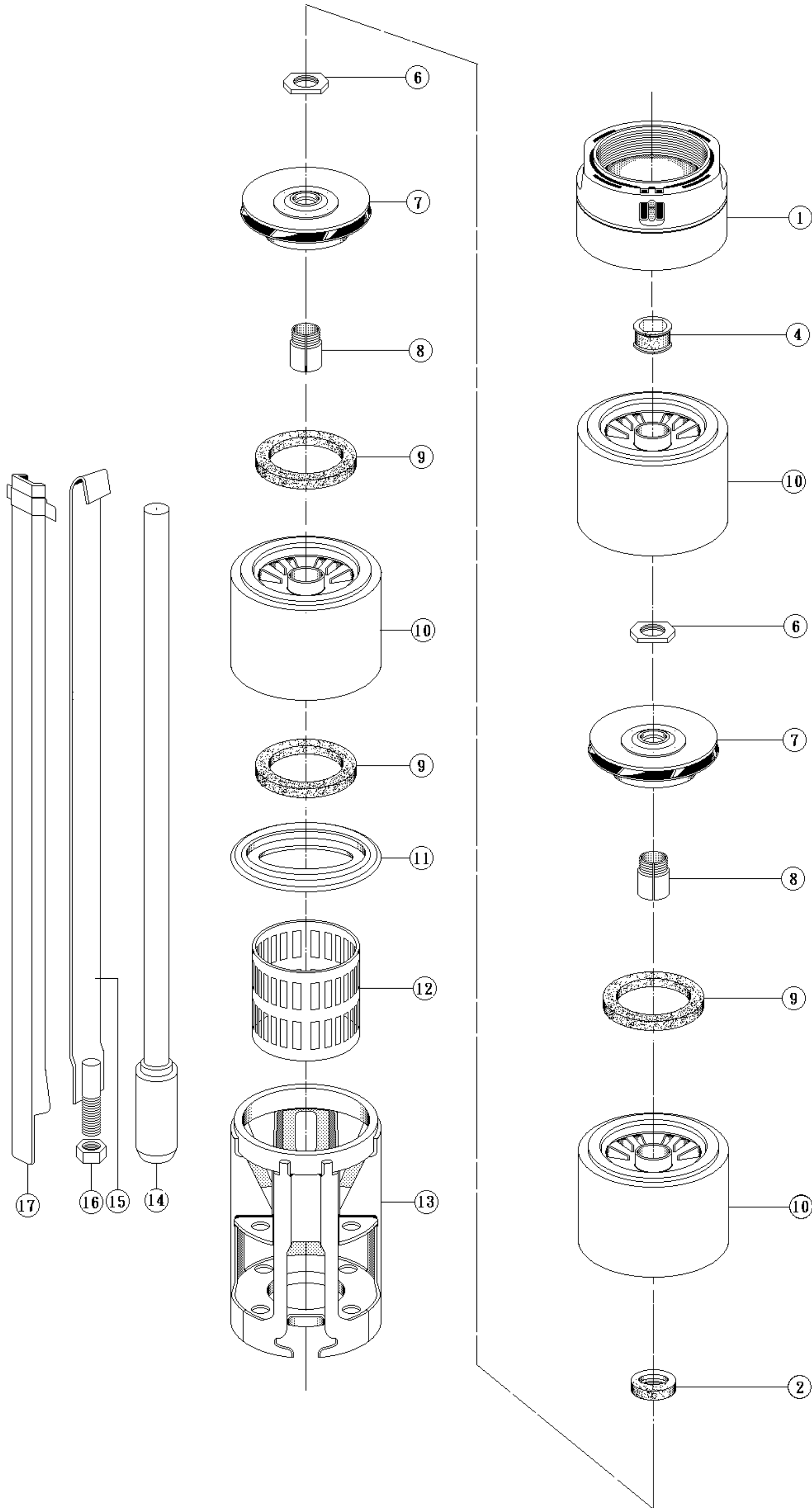
Description

1a	Discharge Chamber
2	Screw M5
7	Stop Ring
8	Lock Nut
9	Stop Ring Washer
10	Impeller
11	Neck Ring
12	Bearing
13a	Diffuser
14a	Spacer
15	Pump shaft / Coupling
16a	Strainer
17a	Suction interconnector
20	Strap
21	Cable Guard
23a	Diffuser Assy
24a	Strainer Assy
26	Nut M8



Description

Description	
1	Discharge
2	Valve Cone
3	Valve Seat
4	Bearing
5	Top intermediate Chamber
6	Split Cone Nut
7	Impeller
8	Split Cone
9	Neck Ring
10	Diffuser
11	Bottom Diffuser
12	Strainer
13	Suction interconnector
14	Pump shaft /Coupling
15	Strap
16	Nut
17	Cable Guard



Description	
1	Discharge
2	Stop Ring
4	Bearing
6	Split Cone Nut
7	Impeller
8	Split Cone
9	Neck Ring
10	Diffuser
11	Guide
12	Strainer
13	Suction interconnector
14	Pump shaft /Coupling
15	Strap
16	Nut
17	Cable Guard