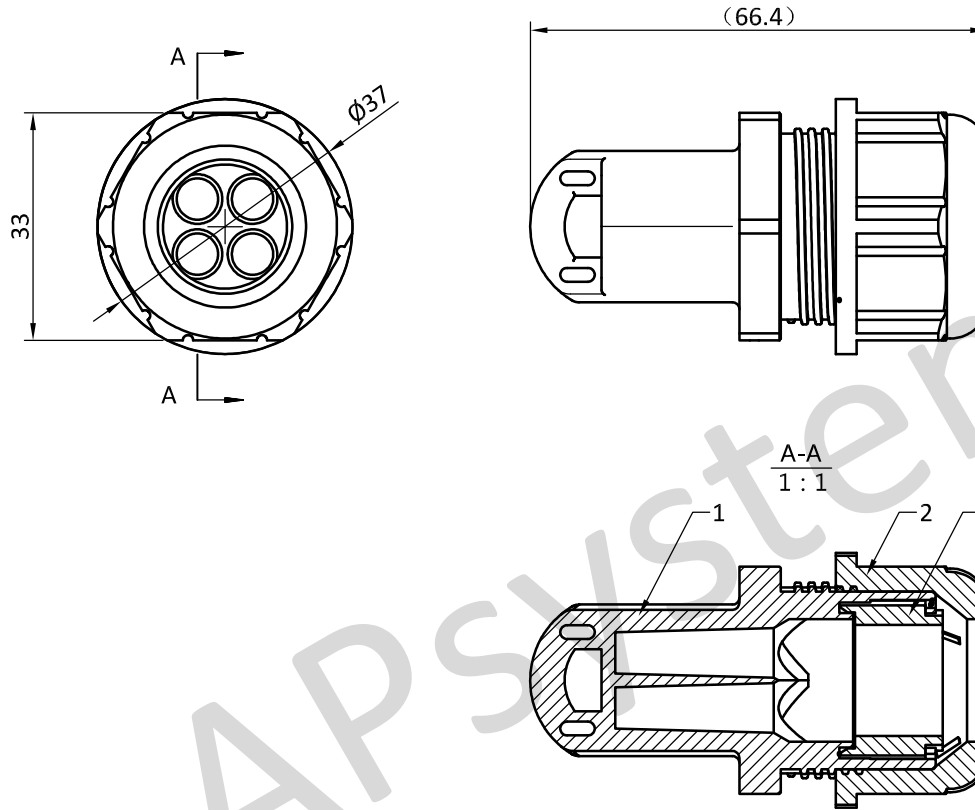



# 2060700017\_3/4-wire Bus Cable End Cap

RoHS

CHANGE NO.	CHANGE CONTENTS	REV.	NAME/DATE



- Notes:
1. Cable Size: 10~16mm;
  2. Nut Torque: 3.0~5.0N·m;
  3. Waterproof Rating: IP68;
  4. Operating Temperature Range: -40~105°C;
  5. Packaging: Blank Cartons

3	Sealing bushing		Rubber	1	
2	Round nut		PA6	1	
1	Joint body		PA6	1	
NO.	NAME	TYPE	MAT.	QTY.	REMARK
TOLERANCES UNLESS OTHERWISE SPECIFIED		MATERIAL			
±0.5		-			
DWN.			UNIT	mm	 <b>APsystems</b> ALTERNATIVE ENERGY POWER NAME 3/4-wire Bus Cable End Cap DRAWING NO. -
CHK.		SHEET	OF	REV. 2.0	