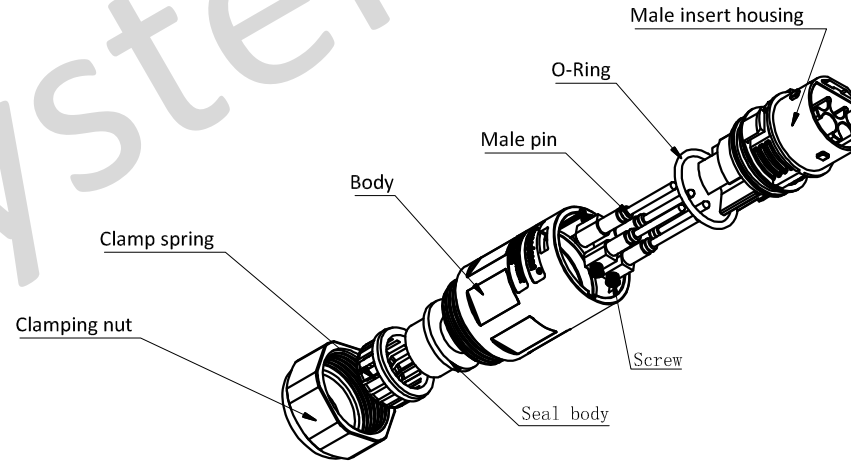
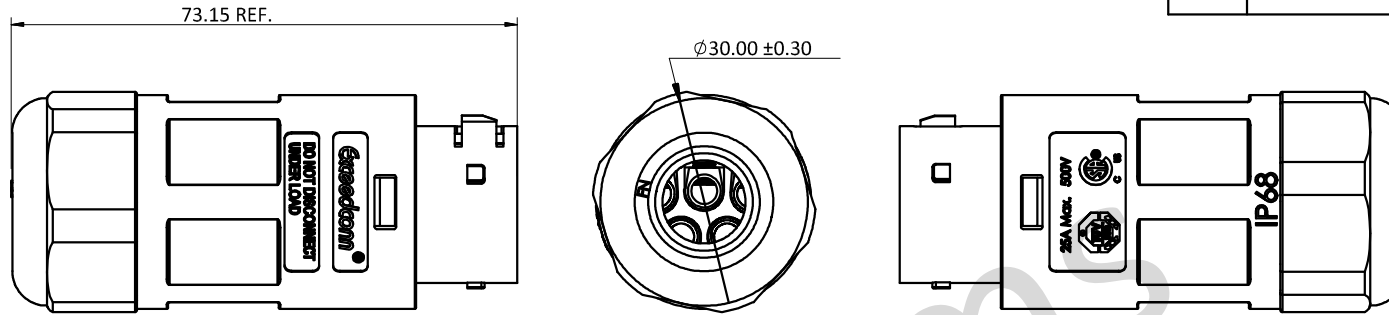


2300711032_25A AC Male Connector (EN,5-wire)

RoHS

CHANGE NO.	CHANGE CONTENTS	REV.	NAME/DATE
①	Change the sealing size	0.1	YFT 2019-9-9



Notes:

Electrical

1. Rated Voltage: 500V AC;
2. Rated Impulse Voltage: 4000V;
3. Rated Current: 25A;
4. Contact Resistance: $\leq 5\text{m}\Omega$;
5. Insulation Resistance: $\geq 500\text{M}\Omega$;

Mechanical:

1. Mating Cycle: ≥ 50 ;
2. Cable Retention Force: $\geq 120\text{N}$;
3. Pin Retention Force: $\geq 80\text{N}$;
4. Wire Size: $\leq 4.0\text{mm}^2$;
5. Sealing Size: 14mm;

Environmental:




1. Waterproof Rate: IP68 1m24H;
2. Application Temperature: $-40^\circ\text{C} \sim +105^\circ\text{C}$;
3. Flaming Level: UL94-V0;

Material:

1. Plastic Material: PC&PBT(f1)
2. Pin: Copper Alloy, Silver Plating;
3. Sealing Material: Silicone Rubber;
4. Screw Material: Fe Alloy, Zinc Plating

Others:

1. Part Number: EN050-1236-00;
2. Packaging: Blank Cartons

TOLERANCES UNLESS OTHERWISE SPECIFIED		MATERIAL		 APsystems <small>ALTERNATIVE ENERGY POWER</small>
X. : ± 0.20	X* : $\pm 2.00^\circ$	-		
X. : ± 0.10	.X* : $\pm 1.00^\circ$			25A AC Male Connector
.XX : ± 0.05	.XX* : $\pm 0.50^\circ$			(EN,5-wire)
.XXX : ± 0.03	.XXX* : $\pm 0.30^\circ$			DRAWING NO.
DWN.	UNIT mm			-
CHK.	SHEET -- OF --	REV.	0.0	-