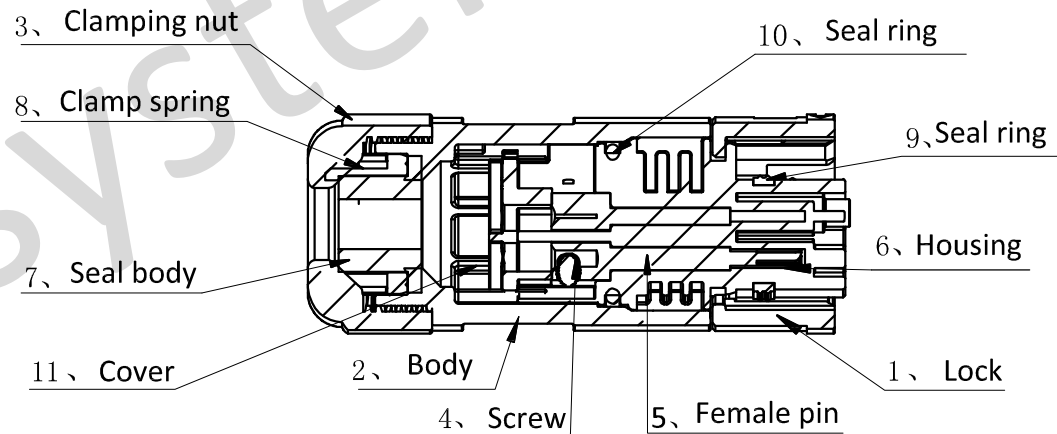
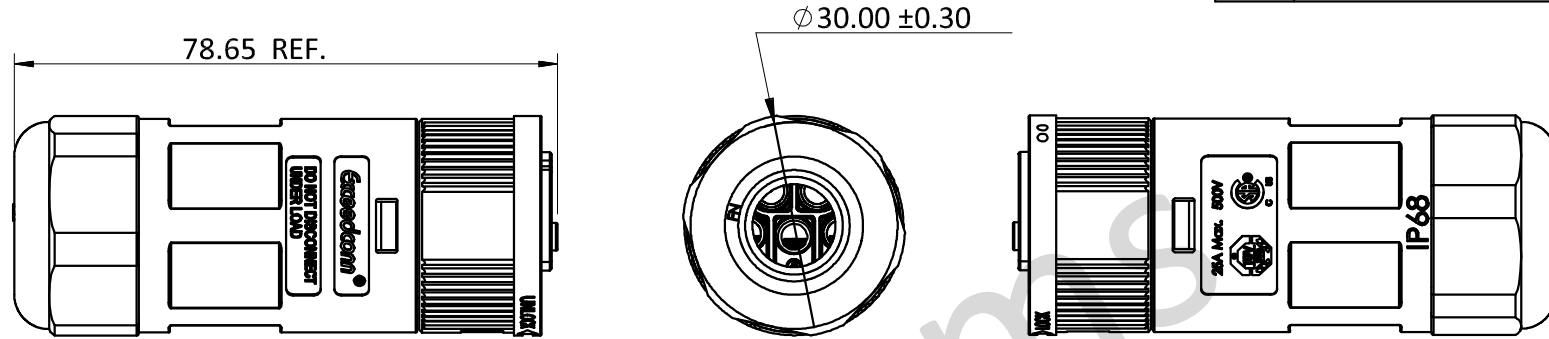


2300812032_25A AC Female Connector (EN,5-wire)

RoHS

CHANGE NO.	CHANGE CONTENTS	REV.	NAME/DATE
①	Change the sealing size	0.1	YFT 2019-9-9



Notes:

Electrical

1. Rated Voltage: 500V AC;
2. Rated Impulse Voltage: 4000V;
3. Rated Current: 25A;
4. Contact Resistance: ≤5mΩ;
5. Insulation Resistance: ≥1000MΩ;

Mechanical:

1. Mating Cycle: ≥50;
2. Cable Retention Force: ≥120N;
3. Pin Retention Force: ≥80N;
4. Wire Size: ≤4.0mm²;
5. Sealing Size: 14mm;

①

Environmental:




1. Waterproof Rate: IP68 1m24H;
2. Application Temperature: -40°C~+85°C;
3. Flaming Level: UL94-V0;

Material:

1. Plastic Material: PC&PBT(f1)
2. Pin: Copper Alloy, Silver Plating;
3. Sealing Material: Silicone Rubber;
4. Screw Material: Fe Alloy, Zinc Plating

Others:

1. Part Number: EN050-2236-00;
2. Packaging: Blank Cartons

TOLERANCES UNLESS OTHERWISE SPECIFIED		MATERIAL		 NAME 25A AC Female Connector (EN,5-wire)
X. : ±0.20	X° : ±2.00°	-		
.X : ±0.10	.X° : ±1.00°			
.XX : ±0.05	.XX° : ±0.50°			
.XXX : ±0.03	.XXX° : ±0.30°			
DWN.	UNIT mm	 	DRAWING NO.	-
CHK.	SHEET -- OF --	REV. 0.0		