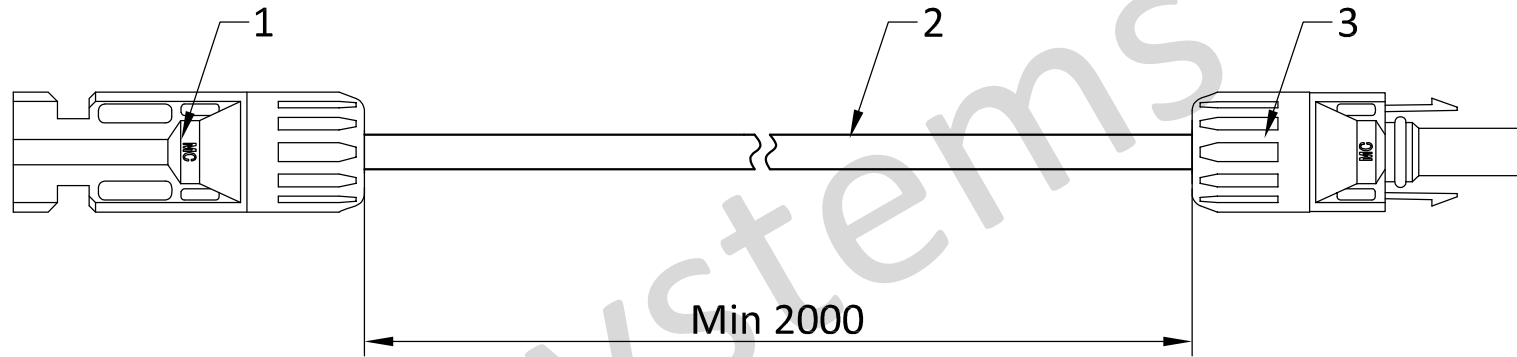


# 2310360214\_2m DC Extension Cable(MC4)

RoHS

CHANGE NO.	CHANGE CONTENTS	REV.	NAME/DATE
②	Add alternative cable	0.2	YFT 2022-9-14
③	Add alternative cable	0.3	YFT 2022-11-24






3	DC Connector (female)	MC4 PV-KBT4/6II		1	Female, STAUBLI	
2	DC Cable	FLEX-SOL-EVO-DX 4.0 62930 IEC 131/PV H1Z2Z2-K /PV wire		1	4.0mm <sup>2</sup> /12AWG, TUV/UL certification	
1	DC Connector (male)	MC4 PV-KST4/6II		1	Male, STAUBLI	

②③

**Notes:**

1. The DC cable and connector connect firmly, can sustain 100N·60s tension.
2. The pin concentric with plastic parts, ensure that there is no contradict phenomenon when male connector inserts into female connector.
3. Use Blank Cartons For Packaging.

NO.	NAME	TYPE	MAT.	QTY.	DESCRIPTION	REMARK
TOLERANCES UNLESS OTHERWISE SPECIFIED		MATERIAL				
>0-100	±5	>2500-3500	±45	 NAME 2m DC Extension Cable (MC4) DRAWING NO.		
>100-500	±10	>3500-4500	±50			
>500-900	±15	>4500-5500	±65			
>900-1300	±25	>5500-6500	±80			
>1300-1800	±30	>6500-8000	±90			
>1800-2500	±35	>8000-10000	±100			
DWN.	UNIT	mm			DRAWING NO.	
CHK.	SHEET	OF	REV.	0.3		