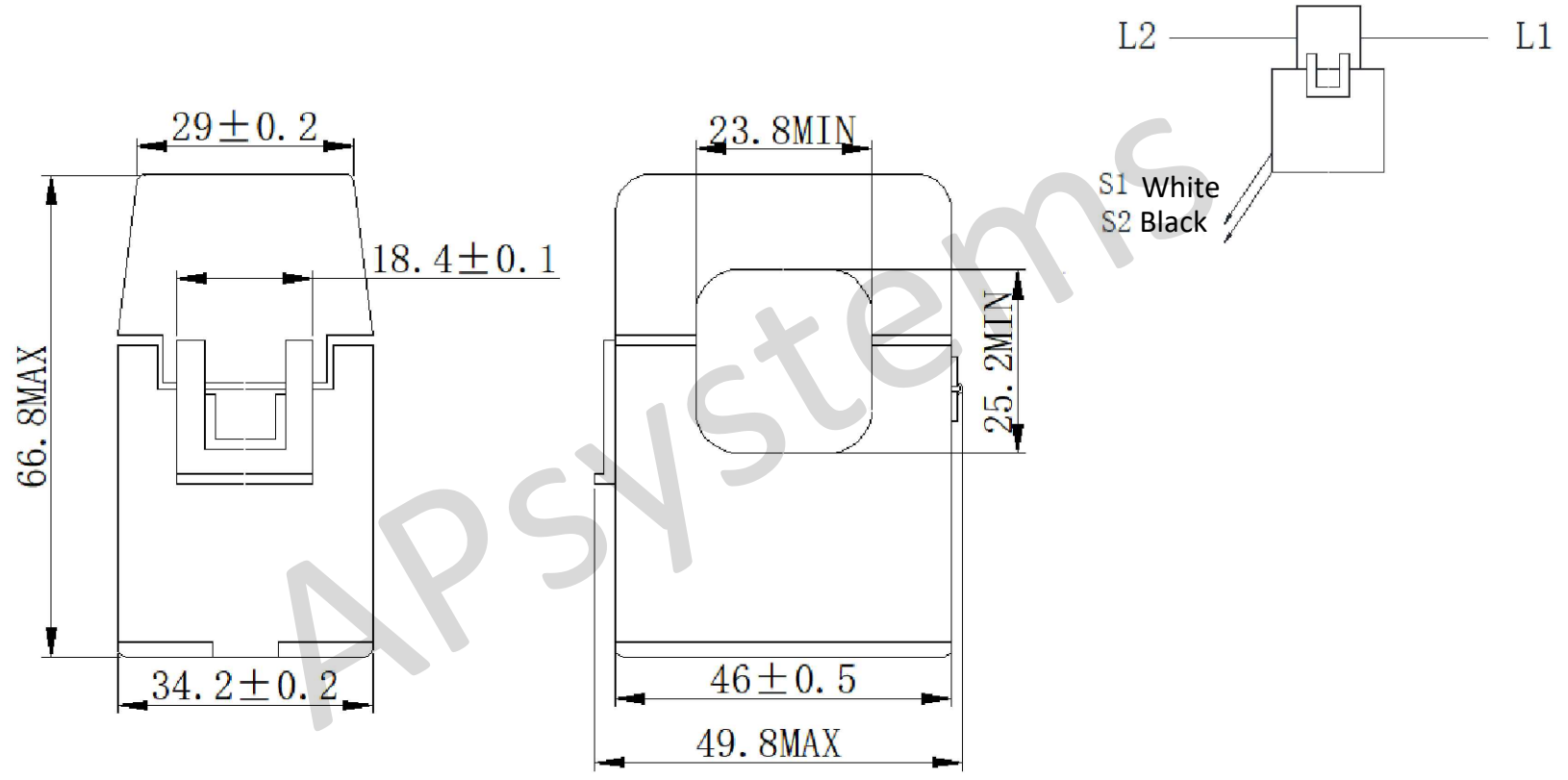




RoHS

CHANGE NO.	CHANGE CONTENTS	REV.	NAME/DATE



- Notes:
 1. Type: XH-SCT-T24/200;
 2. Lead wire: UL1015 24AWG, 1m

TOLERANCES UNLESS OTHERWISE SPECIFIED		MATERIAL		 NAME Current Transformer (200A/66.6mA)
DWN.	UNIT mm			
CHK.	SHEET -- OF --	REV.	0.0	DRAWING NO. -