

TECHNOSUN Vertical Inclined

AL
6060

Fasteners
INOX

AIR-TS-D2 SERIES (20-45°)



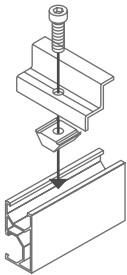
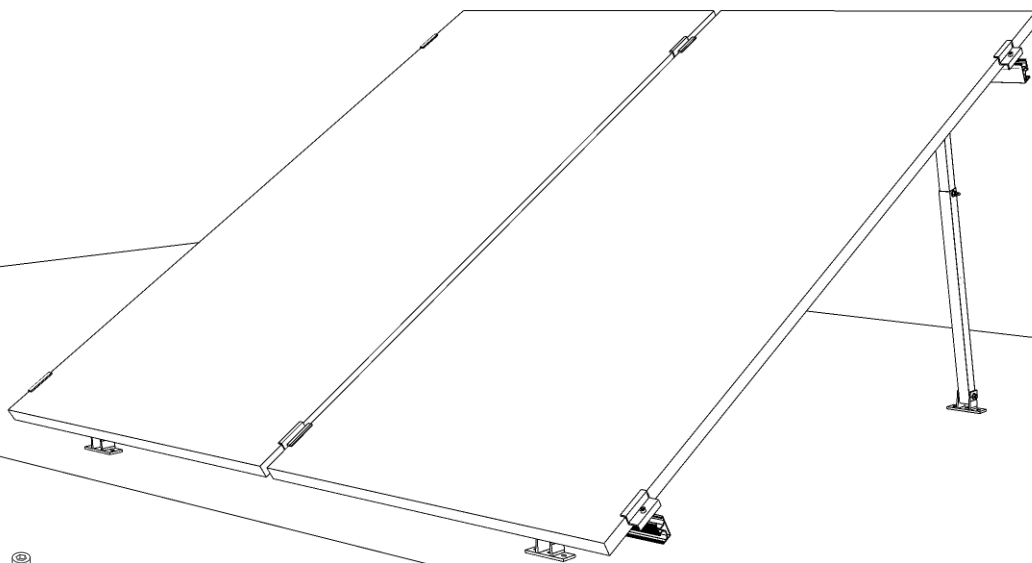
Easy
installation



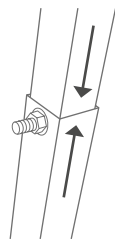
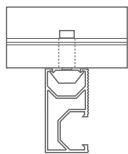
Easy
manteinance



Safe and
reliable



Fixing system
TS-D2



Telescopic legs 20-45°
From 695 to 1280 mm

Technical specifications

DESIGN

Our AIR-TS-D2 inclined structure is suitable for the vertical installation of solar panels on flat surfaces.

Thanks to its TS-D2 fastening system and its telescopic legs, a simple and effective fastening is achieved.

CHARACTERISTICS

Aluminium profiles, pressures and accessories.

Stainless steel screws.

Telescopic legs (20-45°).

100% recyclable.

Universal fixing for panels (available for 30/35/40mm depending on model).

Easy assembly and configuration.

3 years warranty.